

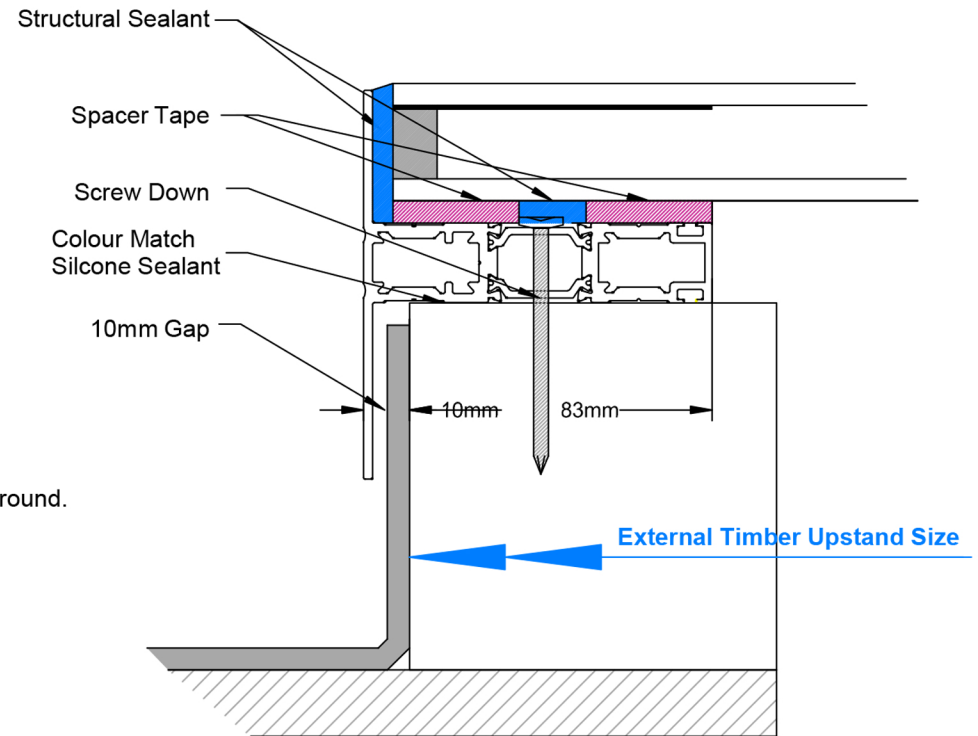


### Measuring & Ordering

1. The timber upstand needs to be a minimum of 75mm high and 85mm deep. It can be from flat to upto 5 degrees pitch.
2. When ordering provide the External Timber Upstand size. A 10mm overhang will automatically be added.

### Installation.

1. Insert the 2 cleats into each of the corners and peel back the tape. Silicone the profile edges using colour match silicone and tighten screws, ensuring the mitred corners join together well.
2. Once joined, apply colour match silicone sealant to the top of the timber upstand, lift into position on the timber upstand using 2 x 5mm packers to ensure a 10mm gap all round.
3. Once in position, screw down through the thermal break.
4. Ensure the 2 strips of Tremco Spacer Tape are positioned well all round, Fill between the strips with the Tremco Structural Sealant. Remove the plastic cover tape from the spacer tape.
5. Place the glass in position using 1 x 5mm packers to help. Remove the packers and seal around the outside with the Tremco Strucutal Sealant, creating a slight bevel at the top edge.



Title  
Installation Instructions  
Technic-AI Rooflight

Drawing No. 101.18 Date Jan 2018



ZODA LTD  
EGDON HALL  
LYNCH LANE  
WEYMOUTH  
DORSET  
DT4 9DN